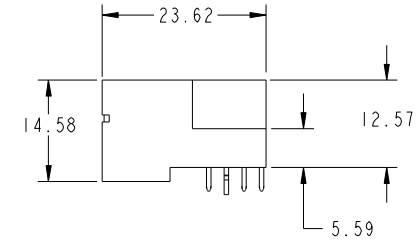
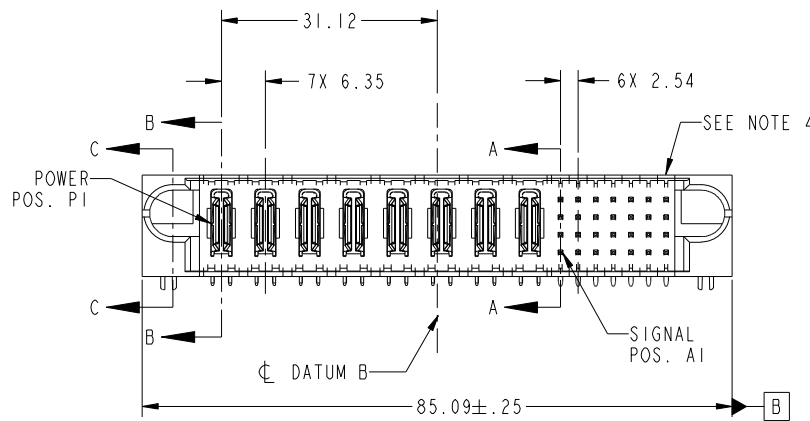
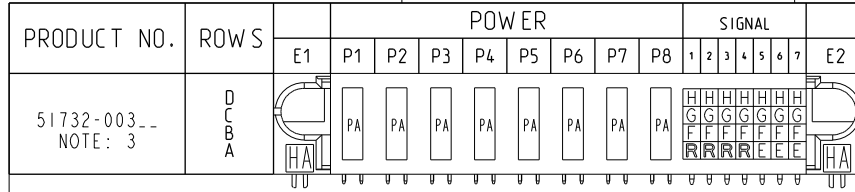


Tous droits strictement réservés. Reproduction ou communication a des tiers interdite sous quelque forme que ce soit sans autorisation écrite du propriétaire. Propriété de c FCI. Droits de reproduction FCI.



All rights strictly reserved. Reproduction or issue to third parties in any form whatever is not permitted without written authority from the proprietor. Property of FCI. Copyright FCI.



CODE	DIM "M" MATING LENGTH	CONTACT TYPE
E	[5.59]	SIGNAL
F	[5.59]	SIGNAL
G	[5.59]	SIGNAL
H	[5.59]	SIGNAL
R	[6.86]	SIGNAL
HA	[N/A]	HOLD-DOWN
PA	[N/A]	POWER

mat'l code				SEE NOTE		tolerances unless otherwise specified		CUSTOMER	
ltr	ecn no.	dr	date	linear	0.X ± 0.5	projection		COPY	
A	V02913	CGD	12/12/00	angles	0.XX ± 0.25	MIM		title	
B	V21294	TAB	09/10/02		0.XXX ± 0.10	1:1		8P + 28S	
C	DG05-0435	SW	11/03/05		0° ± 2°			RIGHT ANGLE SOLDER HEADER	
D	DG07-0498	JW	09/15/08	dr				product family	
				enr	T. BRUNGARD 09/10/02			PwrBlade	
				chr	M. MOSTOLLER 09/10/02			code	
				appd	M. MOSTOLLER 09/10/02			213	
sheet index	revision sheet	D 1	D 2	D 3	D 4			size	
								dwg no	
								A 51732-003	
								sheet 1 of 4	

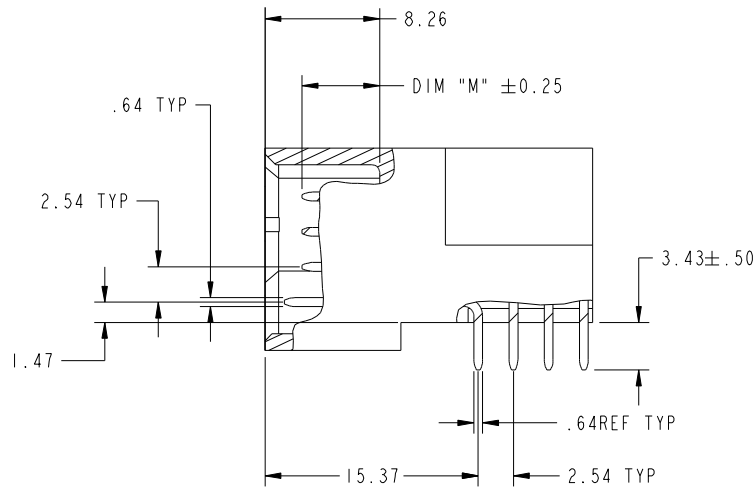
www.fciconnect.com  
**RIGHT ANGLE SOLDER HEADER**  
 product family PwrBlade code 213  
 size dwg no A 51732-003 sheet 1 of 4  
 cage code 22526

Tous droits strictement reserves. Reproduction ou communication a des tiers interdite sous quelque forme que ce soit sans autorisation écrite du propriétaire. Propriete de c FCI. Droits de reproduction FCI.

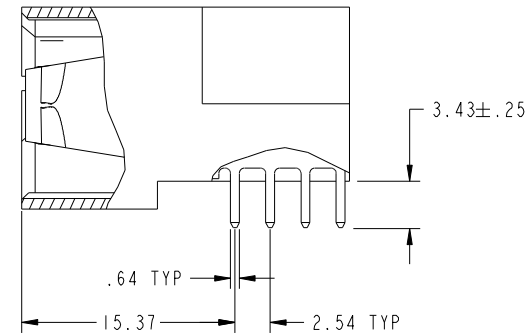


All rights strictly reserved. Reproduction or issue to third parties in any form whatever is not permitted without written authority from the proprietor. Property of FCI. Copyright FCI.

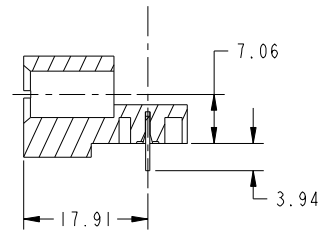
PRODUCT NUMBER  
51732-003--  
NOTE: 3



BROKEN-OUT SECTION A-A  
SCALE 2:1



BROKEN-OUT SECTION B-B  
SCALE 2:1



SECTION C-C

mat'l code				SEE NOTE		tolerances unless otherwise specified		CUSTOMER		FCI www.fciconnect.com	
ltr	ecr no.	dr	date	linear	0.X ±0.5	projection		COPY		title	
D					0.XX ±0.25	⊕		8P + 28S		RIGHT ANGLE SOLDER HEADER	
				angles	0.XXX ±0.10	MIM		product family		PwrBlade	code
				dr	0° ±2°	← MIM →		size		A	213
				enr	T. BRUNGARD 09/10/02	scale		dwg no		51732-003	
				chr	M. MOSTOLLER 09/10/02	1:1		sheet		2	
				appd	M. MOSTOLLER 09/10/02			cage code		22526	
sheet index	revision sheet										

Pro/E

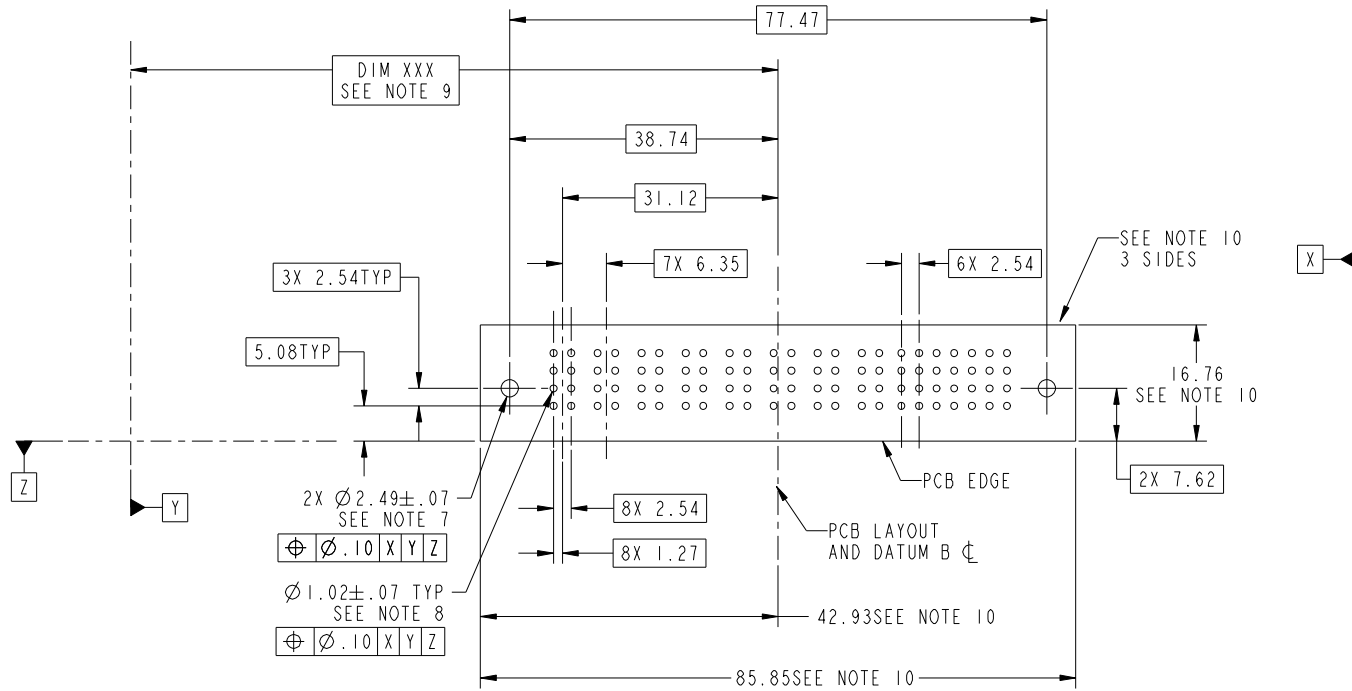
cage code 22526

Tous droits strictement reserves. Reproduction ou communication a des tiers interdite sous quelque forme que ce soit sans autorisation écrite du propriétaire. Propriete de c FCI. Droits de reproduction FCI.



All rights strictly reserved. Reproduction or issue to third parties in any form whatever is not permitted without written authority from the proprietor. Property of FCI. Copyright FCI.

PRODUCT NUMBER  
51732-003\_-  
NOTE: 3



RECOMMENDED PCB LAYOUT

mat'l code		SEE NOTE		tolerances unless otherwise specified		CUSTOMER		www.fciconnect.com	
ltr	ecn no.	dr	date	linear	0.X ±0.5	COPY		title	
D					0.XX ±0.25	projection		8P + 28S	
				angles	0.XXX ±0.10			RIGHT ANGLE SOLDER HEADER	
					0° ±2°			product family PwrBlade code	
				dr	T. BRUNGARD 09/10/02	scale		213	
				enrg	M. MOSTOLLER 09/10/02	1:1		size	
				chr	M. MOSTOLLER 09/10/02	A		dwg no	
				appd	M. MOSTOLLER 09/10/02			51732-003	
sheet index	revision sheet							sheet 3	

cage code 22526

Pro/E

Tous droits strictement reserves. Reproduction ou communication a des tiers interdite sous quelque forme que ce soit sans autorisation écrite du propriétaire. Propriete de c FCI. Droits de reproduction FCI.



All rights strictly reserved. Reproduction or issue to third parties in any form whatever is not permitted without written authority from the proprietor. Property of FCI. Copyright FCI.

PRODUCT NUMBER  
51732-003\_-  
NOTE: 3

NOTES:

1. DIMENSIONS AND TOLERANCES ARE IN ACCORDANCE WITH ASME Y14.5M, 1994 UNLESS OTHERWISE SPECIFIED.

CONNECTOR NOTES:

- 2. HOUSING MATERIAL: UL 94 V-0 GLASS FILLED  
HIGH-TEMP THERMOPLASTIC  
POWER CONTACT MATERIAL: COPPER ALLOY  
SIGNAL PIN MATERIAL: COPPER ALLOY
- 3. PLATING:  
SEE ITEM 1 & 2 IN PRINT 10064183 FOR PLATING SPEC OF 51732-003; 51552-001LF PRESPECTIVELY
- 4. MANUFACTURER'S NAME, P/N, AND DATE CODE TO APPEAR ON THIS SURFACE.
- 5. PRODUCT SPECIFICATION GS-12-149.  
APPLICATION SPECIFICATION BUS-20-067.

PCB NOTES:

- 6. ALL HOLE DIAMETERS ARE FINISHED HOLE SIZE.
- 7. MOUNTING HOLES, WHERE APPLICABLE, ARE UNPLATED.
- 8.  $\varnothing 1.151 \pm 0.025$  DRILLED HOLES PLATED WITH 0.008 MIN SnPb OR Sn OVER 0.03 TO 0.08 Cu PLATING TO ACHIEVE  $\varnothing 1.02 \pm .07$  HOLE.
- 9. "DIM XXX" TO BE DETERMINED BY THE CUSTOMER.
- 10. CONNECTOR KEEP-OUT ZONE.
- 11. A  $\triangle$  SYMBOL WILL BE NEXT TO ANY DIMENSION, VIEW, OR NOTE WHICH HAS BEEN MODIFIED WITH THE CURRENT DRAWING REVISION.

mat'l code				SEE NOTE	tolerances unless otherwise specified	CUSTOMER	FCI www.fciconnect.com	
ltr	ecr no.	dr	date	linear	0.X ± 0.5	COPY	title	
D					0.XX ± 0.25	projection	8P + 28S RIGHT ANGLE SOLDER HEADER	
				angles	0.XXX ± 0.10		product family PwrBlade code	
				dr	0° + 2°	MIM	size	213
				enrg	T. BRUNGARD 09/10/02	← MIM →	dwg no	sheet
				chr	M. MOSTOLLER 09/10/02	scale	51732-003	4
				appd	M. MOSTOLLER 09/10/02	1:1		
sheet index	revision sheet							

cage code 22526

Pro/E